

Pratt – Ft. Worth / Arlington TX
Data / AP Cabling

Administration Offices

3801 Avenue "E" East

Great Southwest Industrial District
 Arlington, TX 76011

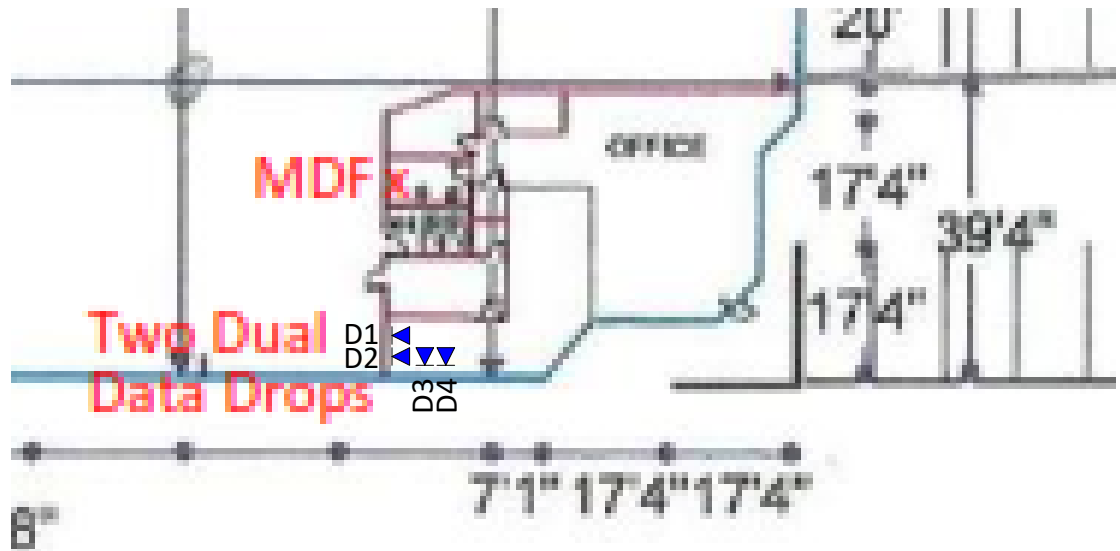
60,348 Total Sq. Ft

3,000 Office Sq. Ft

57,348 Warehouse Sq. Ft.

22 Ft. Clear Height

102 Ft. Truck Apron Depth



04ea. Cat.6 UTP Plenum Data Jack Locations

Diagram created for: Keith Estes – Pratt Industries, 678-374-5934				IN STRICT CONFIDENCE. All rights reserved. Disclosure to third parties of this document or any part thereof, or the use of any information contained therein for purposes other than provided for by this document is not permitted, except with the express written permission of Scott M. Conkel and/or Georgia Low Voltage Technologies Inc.	
Client	Pratt Industries	Date	5/5/2015		
Site	Ft. Worth / Arlington TX	Job Name	Pratt – Ft. Worth/Arlington TX		

- IDF Location
- Access Point
- New Data Cable locations

Pratt – Ft. Worth / Arlington TX

Data / AP Cabling

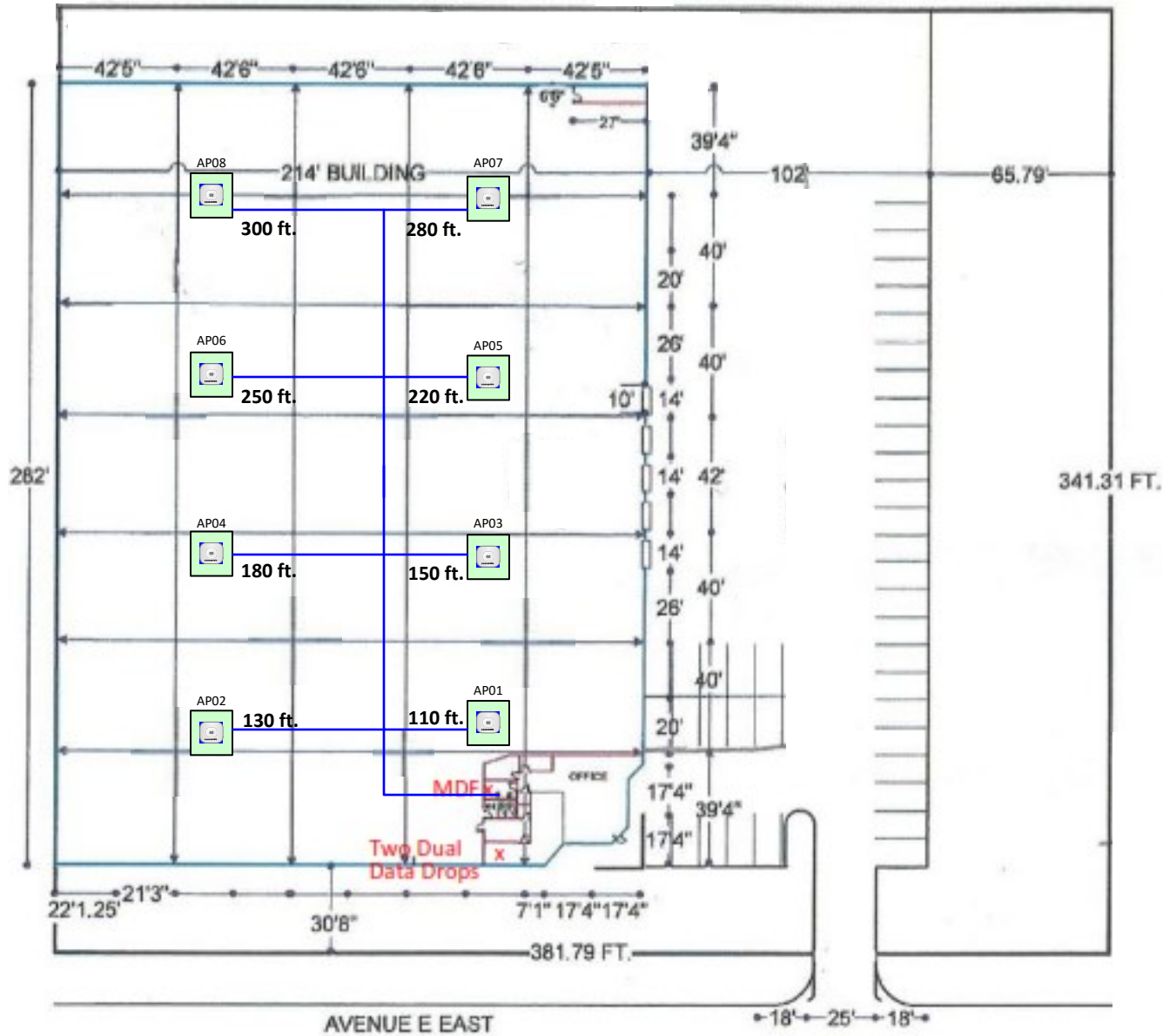


Diagram created for: Keith Estes – Pratt Industries, 678-374-5934			
Client	Pratt Industries	Date	5/5/2015
Site	Ft. Worth / Arlington TX	Job Name	Pratt – Ft. Worth/Arlington TX

IN STRICT CONFIDENCE. All rights reserved. Disclosure to third parties of this document or any part thereof, or the use of any information contained therein for purposes other than provided for by this document is not permitted, except with the express written permission of Scott M. Conkel and/or Georgia Low Voltage Technologies Inc.



Pratt – Ft. Worth / Arlington TX
Data / AP Cabling

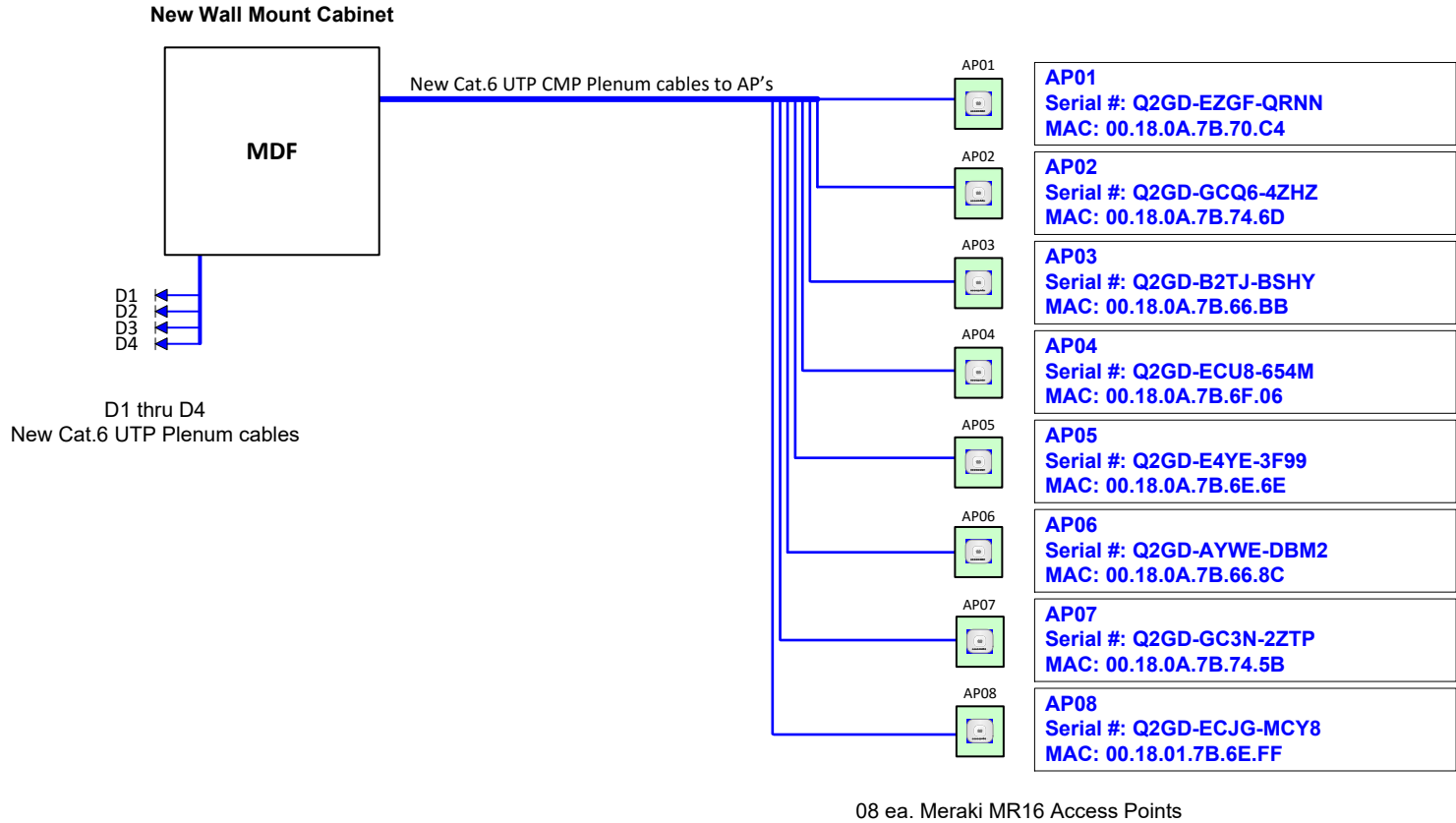


Diagram created for: Keith Estes – Pratt Industries, 678-374-5934			
<i>Client</i>	Pratt Industries	<i>Date</i>	5/5/2015
<i>Site</i>	Ft. Worth / Arlington TX	<i>Job Name</i>	Pratt – Ft. Worth/Arlington TX

IN STRICT CONFIDENCE. All rights reserved. Disclosure to third parties of this document or any part thereof, or the use of any information contained therein for purposes other than provided for by this document is not permitted, except with the express written permission of Scott M. Conkel and/or Georgia Low Voltage Technologies Inc.



Pratt – Ft. Worth / Arlington TX

Data / AP Cabling

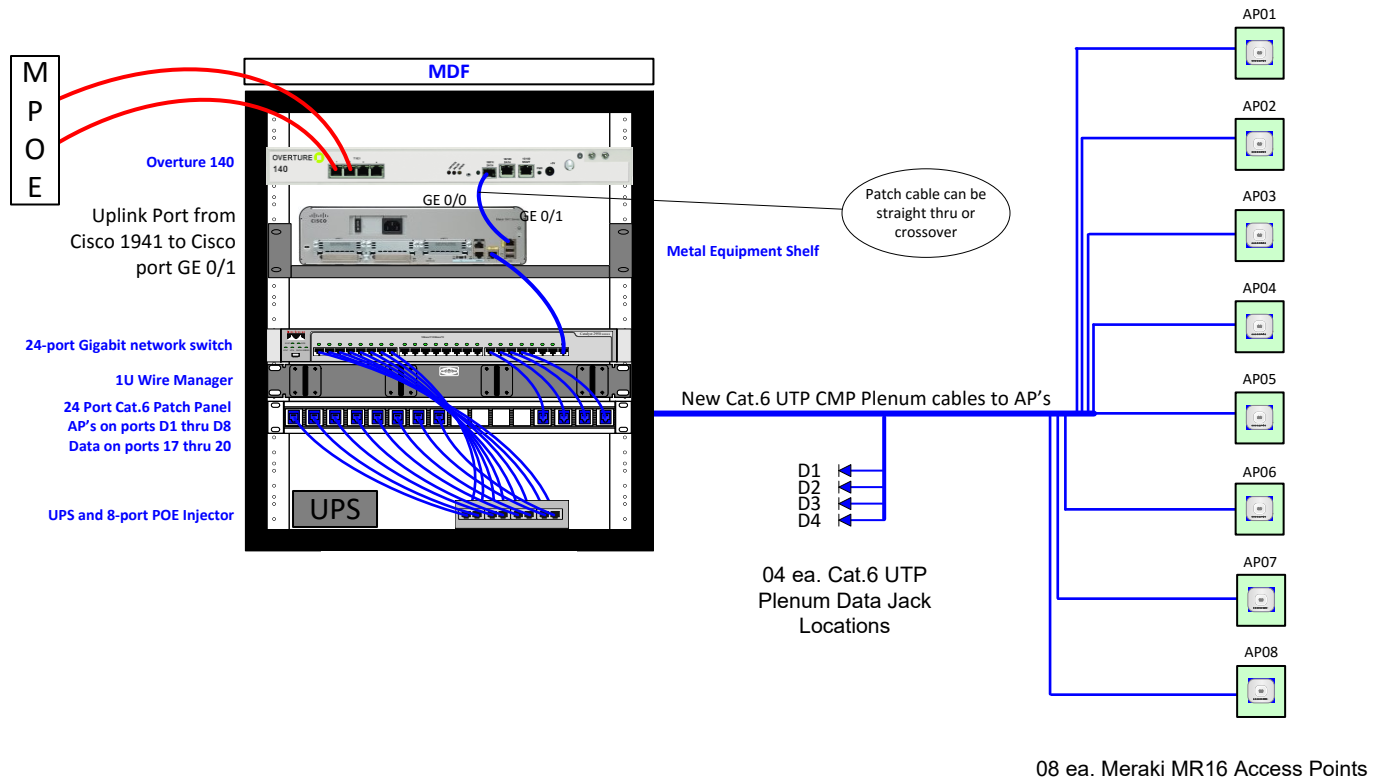


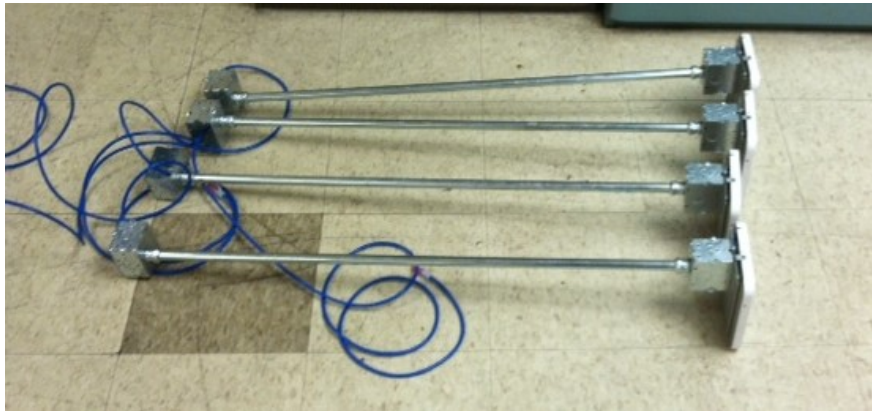
Diagram created for:
Keith Estes – Pratt Industries, 678-374-5934

Client	Pratt Industries	Date	5/5/2015
Site	Ft. Worth / Arlington TX	Job Name	Pratt – Ft. Worth/Arlington TX

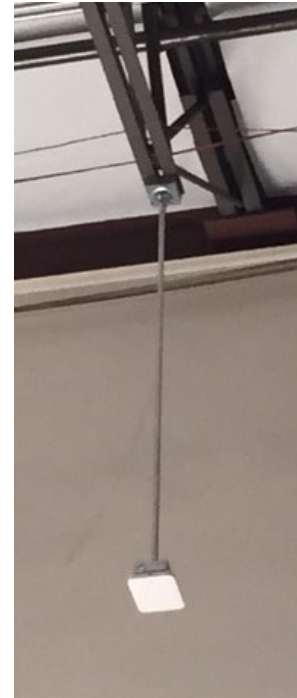
IN STRICT CONFIDENCE. All rights reserved. Disclosure to third parties of this document or any part thereof, or the use of any information contained therein for purposes other than provided for by this document is not permitted, except with the express written permission of Scott M. Conkel and/or Georgia Low Voltage Technologies Inc.



Pratt – Ft. Worth / Arlington TX
Data / AP Cabling



Drop Pole Assemblies with AP mounted



Installed Drop Pole Assembly

Diagram created for: Keith Estes – Pratt Industries, 678-374-5934				IN STRICT CONFIDENCE. All rights reserved. Disclosure to third parties of this document or any part thereof, or the use of any information contained therein for purposes other than provided for by this document is not permitted, except with the express written permission of Scott M. Conkel and/or Georgia Low Voltage Technologies Inc.	
<i>Client</i>	Pratt Industries	<i>Date</i>	5/5/2015		
<i>Site</i>	Ft. Worth / Arlington TX	<i>Job Name</i>	Pratt – Ft. Worth/Arlington TX		